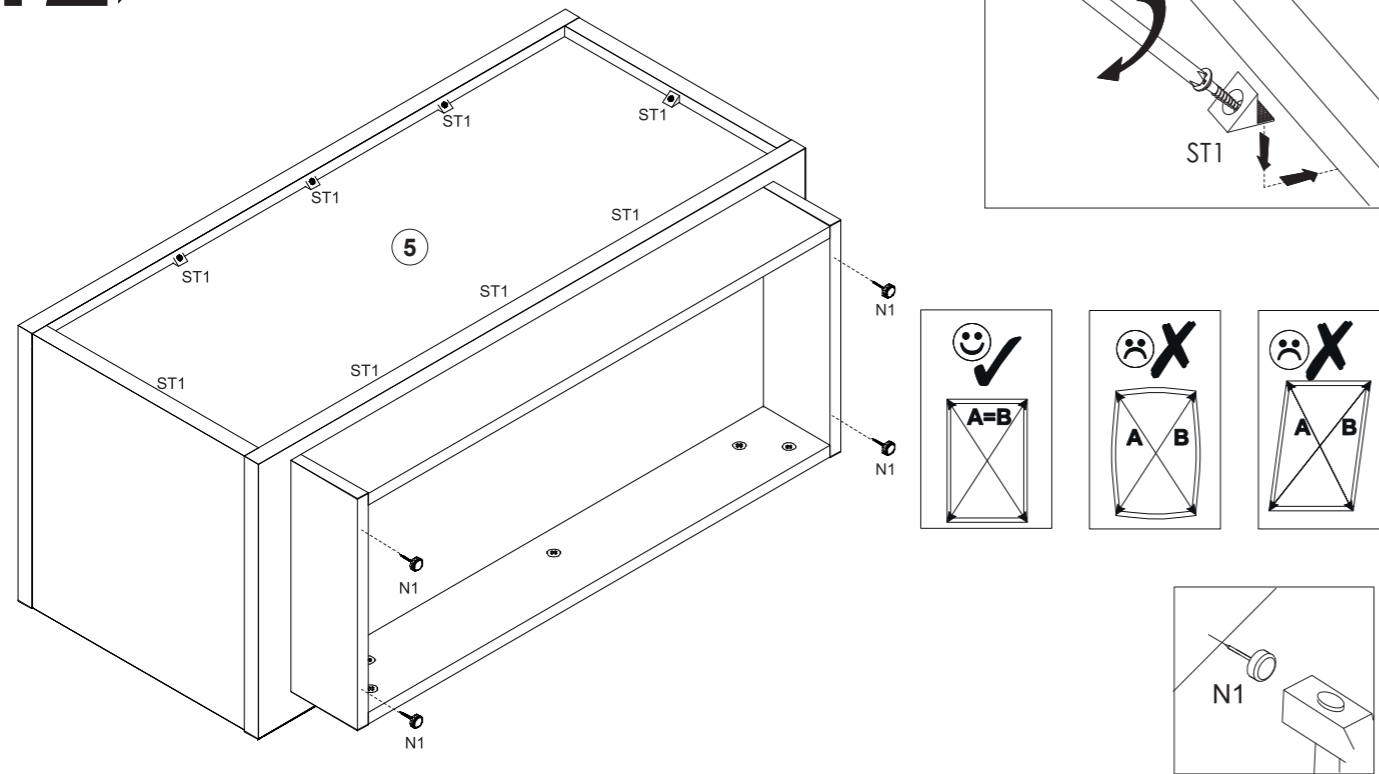
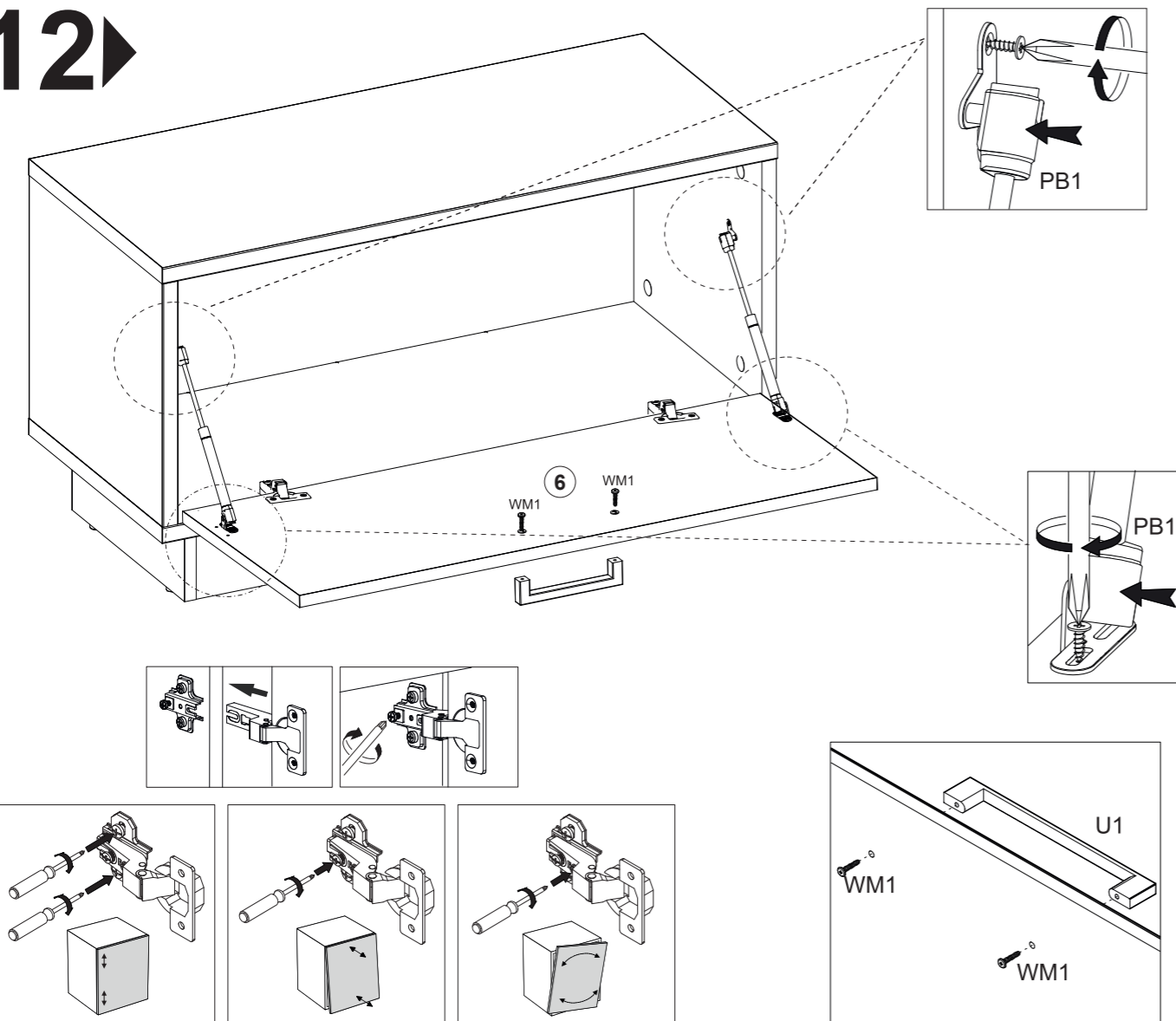


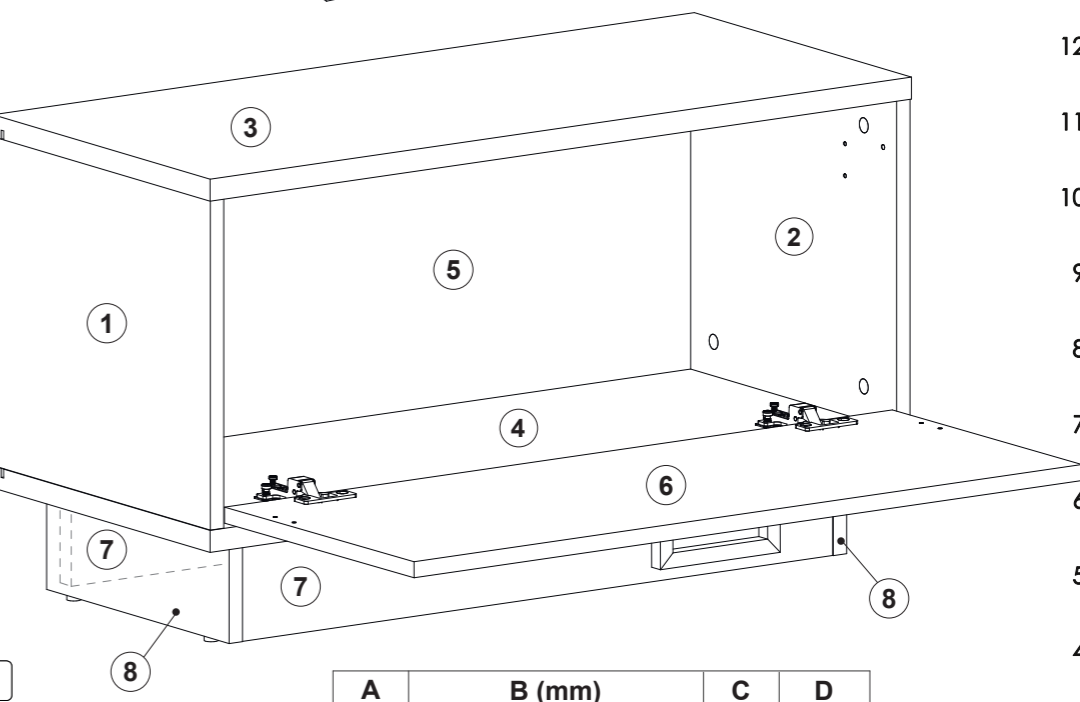
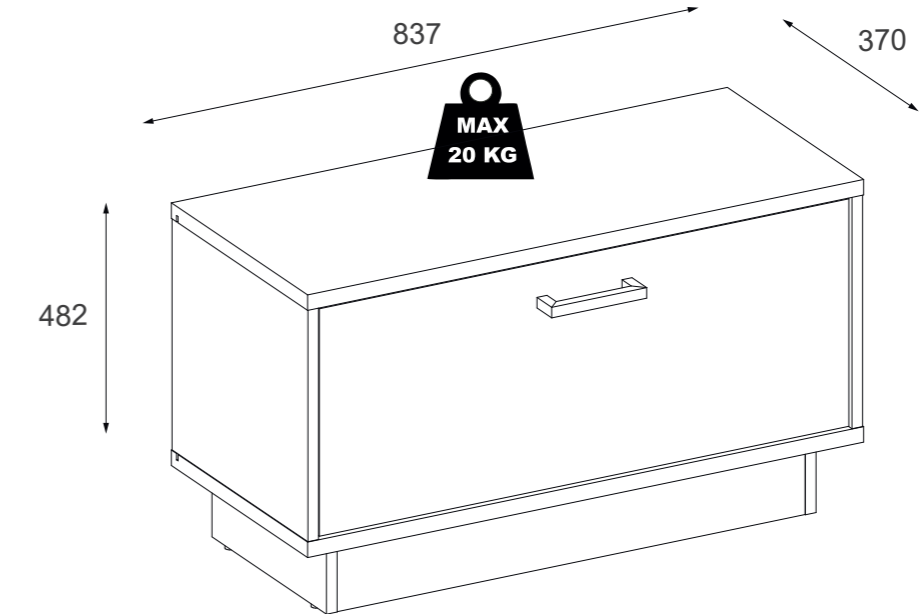
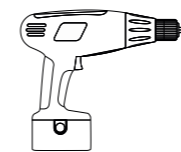
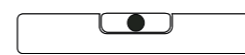
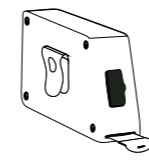
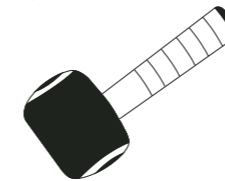
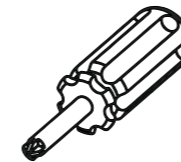
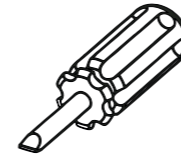
12



12

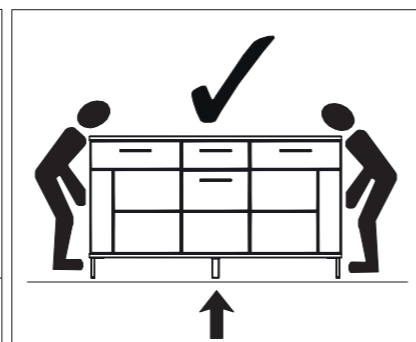
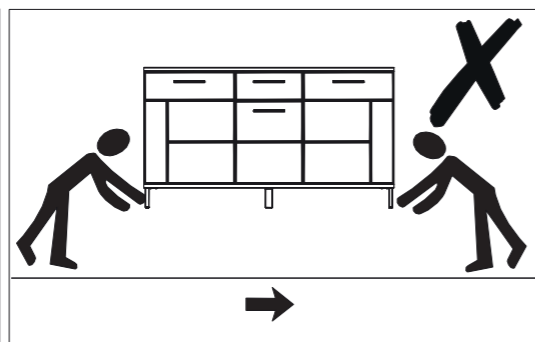
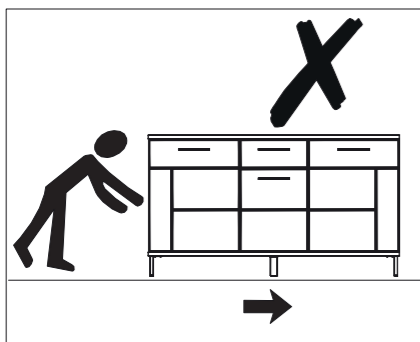
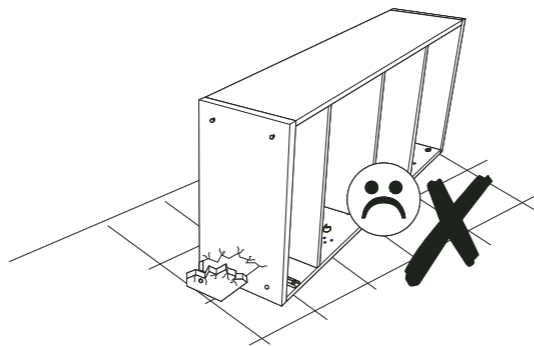
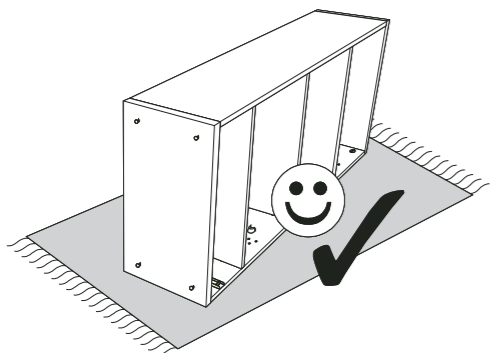
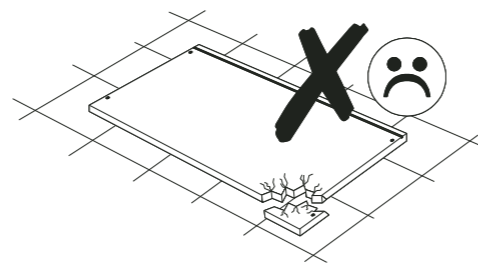
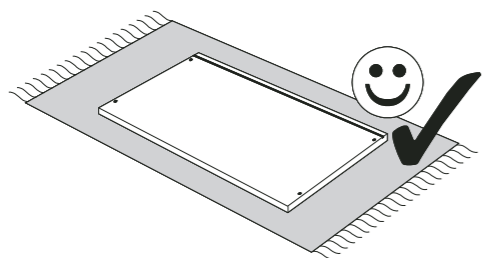
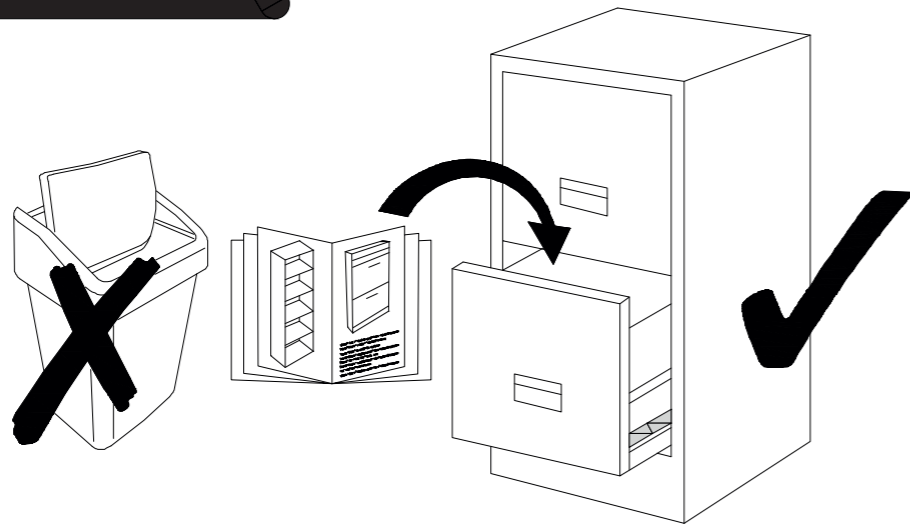


MODELL: CN10

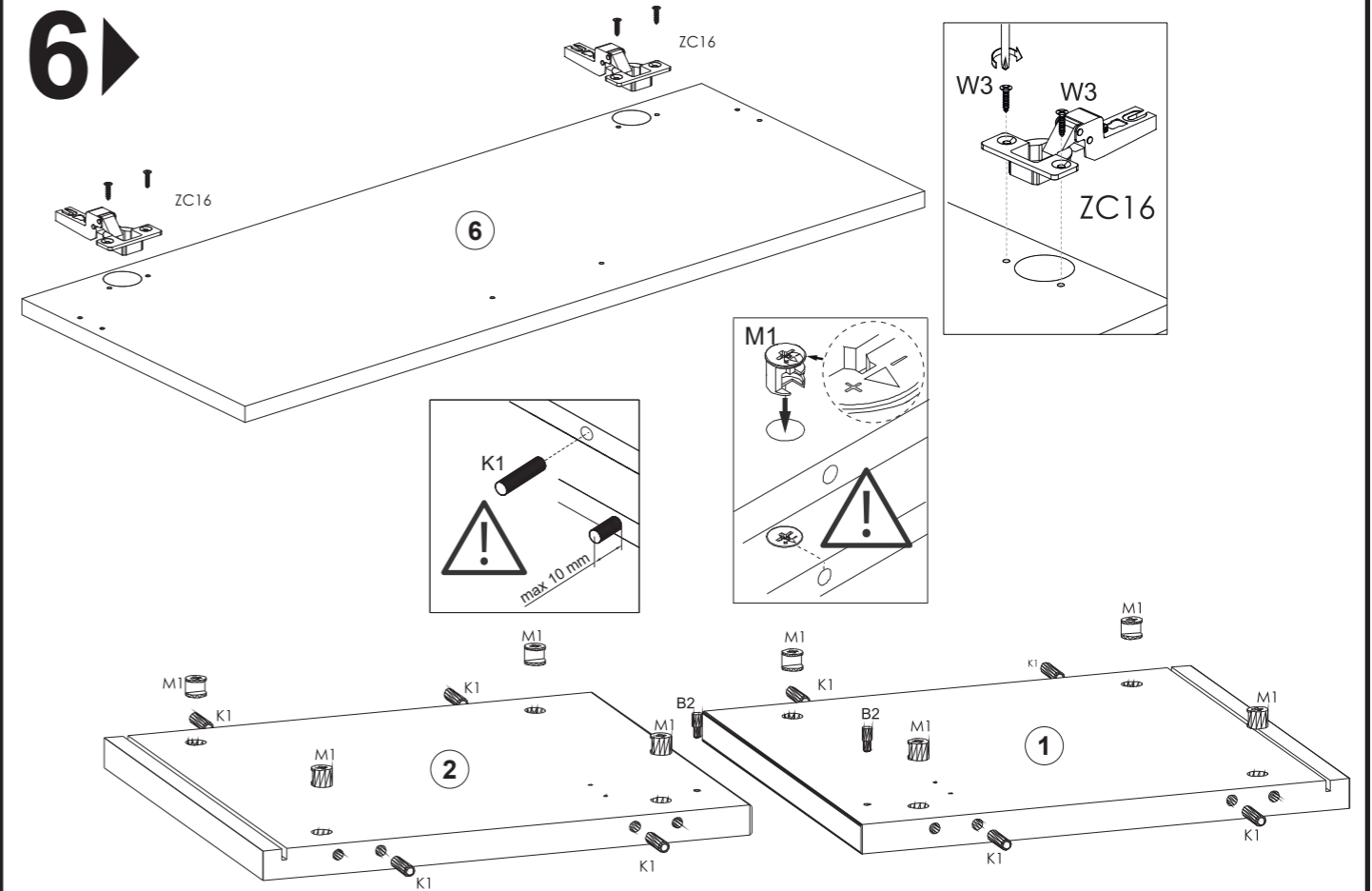


	A	B (mm)		C	D
1	329	369	16	x1	1/1
2	1388	380	16	x1	1/1
3	837	370	16	x1	1/1
4	837	370	16	x1	1/1
5	819	345	2,5	x1	1/1
6	797	323	16	x1	1/1
7	705	104	16	x2	1/1
8	311	104	16	x2	1/1

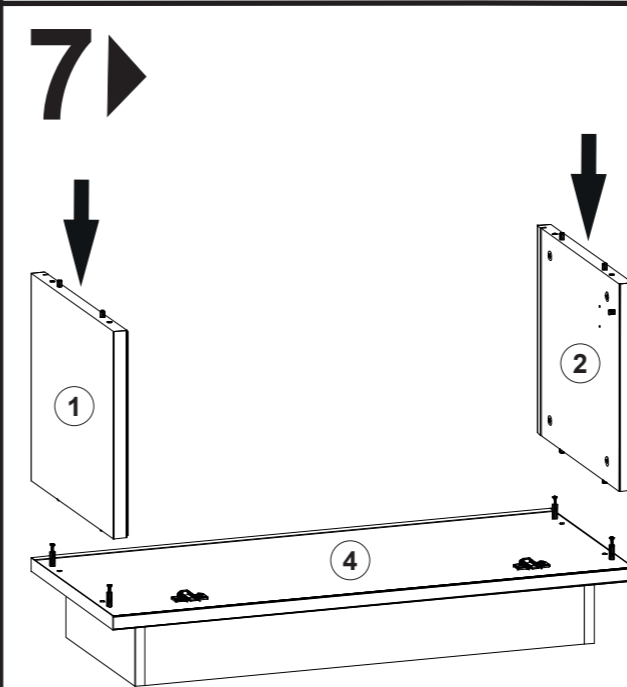
8x #20/871 ZN1	4x 3.5x16 W3	8x ST1	4x N1
2x N=80 PB1	12x 8x30 K1	1x U1	2x ZC16
18x #15/15 M1	18x DU232T T1	2x 4x25 WM1	2x B2
			2x PRO



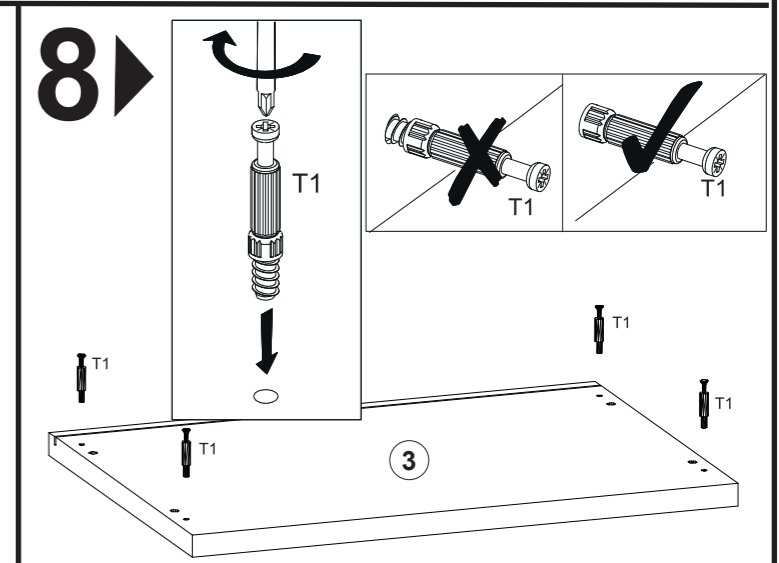
6



7



8



9

